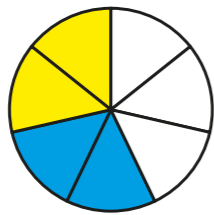


Multiply fractions by integers

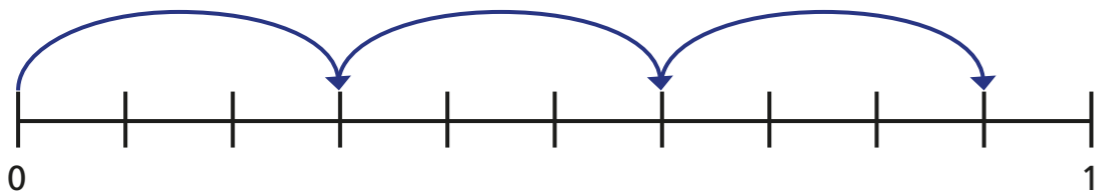
1 Complete the calculations.

a)

$$\frac{2}{7} \times 2 = \square$$

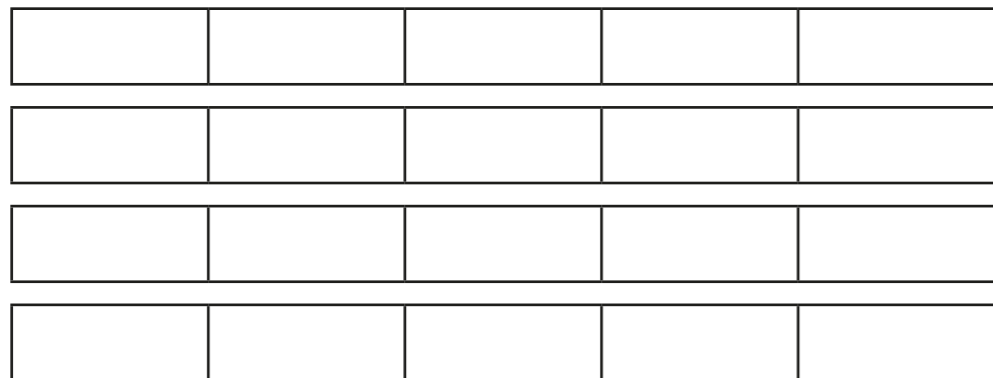


b)



$$3 \times \frac{3}{10} = \square$$

2 a) Shade the bar models to show $\frac{2}{5} \times 4$



b) Complete the multiplication.

$$\frac{2}{5} \times 4 = \square$$

3 Complete the calculations.

a) $\frac{1}{3} \times 1 = \square$

b) $\frac{3}{4} \times 1 = \square$

$$\frac{1}{3} \times 2 = \square$$

$$\frac{3}{4} \times 2 = \square$$

$$\frac{1}{3} \times 3 = \square$$

$$\frac{3}{4} \times 3 = \square$$

$$\frac{1}{3} \times 4 = \square$$

$$\frac{3}{4} \times 4 = \square$$

$$\frac{1}{3} \times 5 = \square$$

$$\frac{3}{4} \times 5 = \square$$

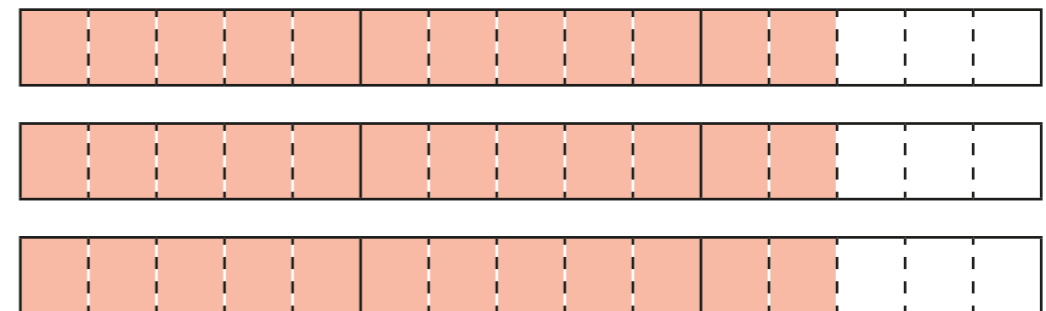
$$\frac{1}{3} \times 6 = \square$$

$$\frac{3}{4} \times 6 = \square$$

What patterns do you notice?

4 Complete the multiplication.

$$2\frac{2}{5} \times 3 = \square$$



What method did you use? Is there a different method you could have used?



5 Match the calculations.

$$\frac{2}{3} + \frac{2}{3}$$

$$\frac{1}{2} \times 6$$

$$\frac{1}{4} \times 24$$

$$18 \times \frac{1}{4}$$

$$\frac{3}{4} + \frac{3}{4} + \frac{3}{4} + \frac{3}{4}$$

$$\frac{1}{6} \times 10$$

$$\frac{5}{12} \times 4$$

$$12 \times \frac{1}{2}$$

$$1\frac{1}{2} \times 3$$

$$\frac{1}{3} \times 4$$

6 Write each answer as a mixed number in its simplest form.

a) $1\frac{1}{5} \times 2 =$

d) $2\frac{2}{5} \times 5 =$

b) $2\frac{1}{6} \times 3 =$

e) $7 \times 3\frac{1}{2} =$

c) $2\frac{2}{5} \times 4 =$

f) $\frac{11}{15} \times 7 =$

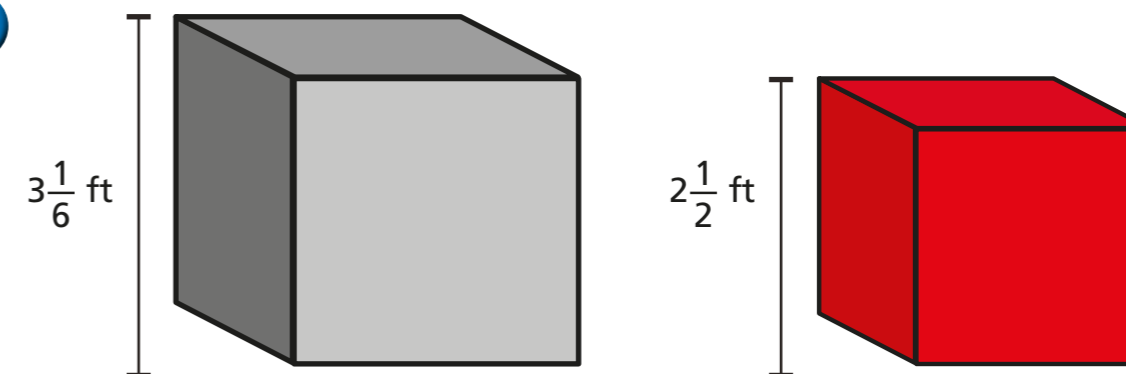
7 Fill in the missing numbers.

a) $2\frac{\square}{7} \times 3 = 6\frac{6}{7}$

b) $2\frac{\square}{8} \times 3 = 7\frac{1}{2}$

8 Tommy's dog eats $3\frac{1}{2}$ tins of food a week.
How many tins does she eat in a year?

9



Jack builds a tower using grey blocks.
Alex builds a tower using red blocks.
The towers are exactly the same height.
How many blocks could they each have used?

